



#1 Standard - Indiana

Mailbox Order Form

2024

Call, Email, or Mail this form. Full payment is required to process your order.

Today's Date: _____

Mailbox Installation or Shipping Location:

Name: _____ Phone: _____

Address: _____

Lot Number: _____ County or Township: _____

City: _____ State: _____ Zip: _____

Bill to Address:

Name: _____

Address: _____

City: _____ State: _____ Zip: _____

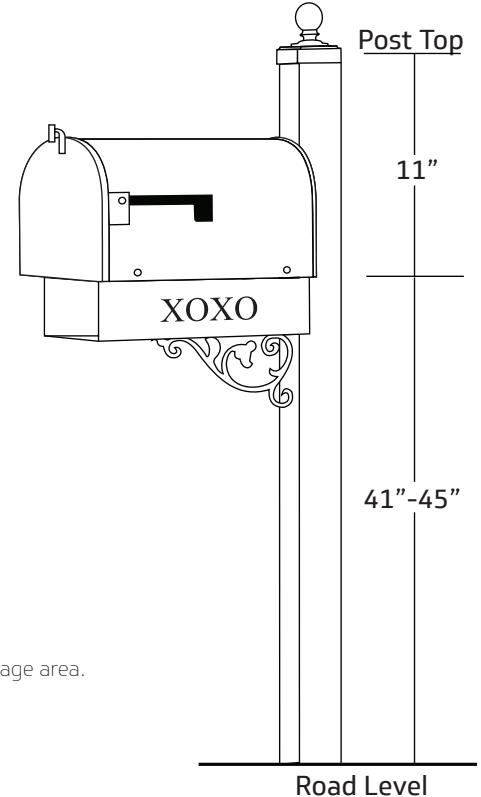
Email Address: _____

PLEASE CHOOSE FROM THE FOLLOWING OPTIONS

Complete Mailbox Unit	
Mailbox	\$285.00
Sales Tax	\$19.95
TOTAL IF PICKING UP	\$304.95
TOTAL IS SHIPPING	\$364.95

Complete Mailbox Unit w/ Install	
Mailbox	\$285.00
Sales Tax	\$19.95
Installation	*\$85.00
TOTAL W/ INSTALL ONLY	\$389.95
TOTAL + REMOVAL	\$429.95
TOTAL + TEMPORARY MB	\$419.95
TOTAL FOR ALL	\$459.95

Mailbox Replacement Parts	
Small Mailbox	\$44.42
Small Paper Box	\$84.14
6ft Aluminum Post	\$103.30
Cast Aluminum Post Cap	\$24.37
Reflective Gold Address	\$18.00
Aluminum Scroll Bracket	\$84.52
SUBTOTAL	
Shipping	TBD
Installation	*\$85.00
Removal	\$40.00
Tax (7% Indiana Sales Tax)	
TOTAL	



*Additional charges will apply for installs out of our coverage area.

ADDRESS TO APPEAR ON MAILBOX: [] [] [] [] []

Payment Type: VISA Master Card AMEX Discover or Check #: _____

Card #: _____

Payment Amount: _____ Exp. Date: _____ SCC: _____

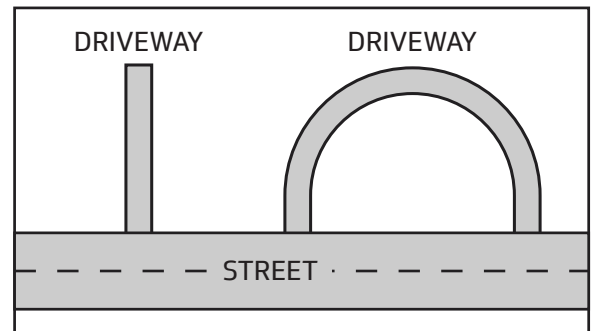
Address on Card Statement: _____

City: _____ State: _____ Zip: _____

Cardholder Name: _____

Cardholder Signature: _____

Place "X" below at Mailbox Location:



Any Irrigation Lines Must Be Shown Here
Irrigation Lines? YES NO

Please allow 3 weeks from receipt of payment for pickup and install orders, it may take longer during times of heavy demand for our mailboxes. Site must be finish graded and ready for install to avoid additional \$85.00 trip fees. Irrigation lines must be marked on this form to avoid damage. B SIGN GROUP is not liable for damage to irrigation lines not marked on this form. Mailboxes will be installed in a manner consistent with US Postal Regulations. All Mailbox orders must be prepaid. \$30.00 Returned Check Fee Applicable.

812-949-7446 or
888-561-0007 TOLL FREE
502-561-0051 FAX



4239 Earnings Way , New Albany, IN 47150

fred@bsigngroup.com

bsigngroup.com